

vogelsitze®



AERION

City

AERION



Most modern local public transport seat, offering perfect seating comfort.

Aerion with its range of accessories complies with all requirements of a seat of its class. Top quality and premium design give the seat its unmistakable appearance.

Its lightweight aluminum construction, modular design, embedded upholstery elements with trim-o-fix quick-change cover system, the easily accessible components without any visible screws: all these features sum up to practical construction, practical use.

With its ergonomic and ultra thin backrest, **Aerion** allows maximum legroom for the passenger and still offers a high level of seating comfort.

Versions: **Aerion** seat is available in different levels of comfort, with seat widths of 420 mm and 450 mm at each level. Back-to-back, double or single seat, with or without upholstered pads for cushion and / or seatback.



AERION

AUSSTATTUNG | EQUIPMENT

AUSSTATTUNGSOPTIONEN | EQUIPMENT OPTIONS



Haltegriff
Grab handle



Haltegriff zwei farbig
Grab handle two colors



Haltestangenanschluss
Stanchion fitting



Rückenabdeckung mit Customization-Option
Backrest with customization option



Bügelgriff
Hoop-type handle



Abweisbügel
Safety bar



Abweisbügel
Safety bar



Armlehne klappbar
Armrest foldable



Armlehne klappbar
Armrest foldable



Armlehne klappbar Lux
Armrest foldable Lux

AERION

AUSSTATTUNG | EQUIPMENT

AUSSTATTUNGSOPTIONEN | EQUIPMENT OPTIONS



Aerion-100



Aerion-200



Aerion-300



Aerion-400 (Comfort)



Longitudinal seat



Mother-child-seat



Adapter



Trim-o-fix quick-change cover system



Seat heating

AERION

AERION Colour Options

SEAT SHELL COLOUR OPTIONS



Dusty Grey
RAL 7037



Brilliant Blue
RAL 5007



Anthracite Grey
RAL 7016



Ruby Red
RAL 3003

COLOUR OPTIONS UPPER HANDLE INSERT



Dusty Grey
RAL 7037



Brilliant Blue
RAL 5007

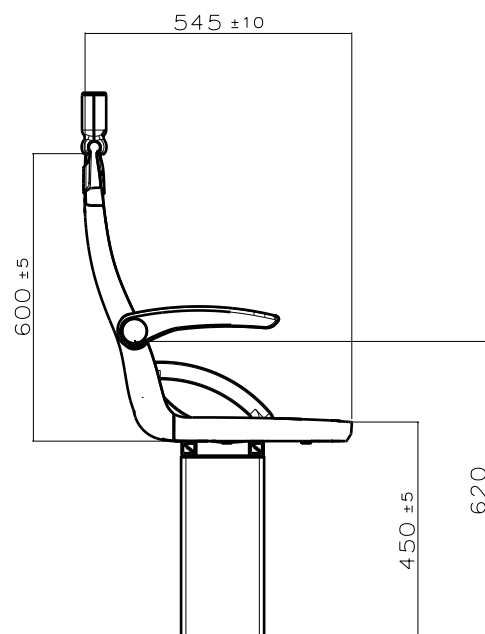
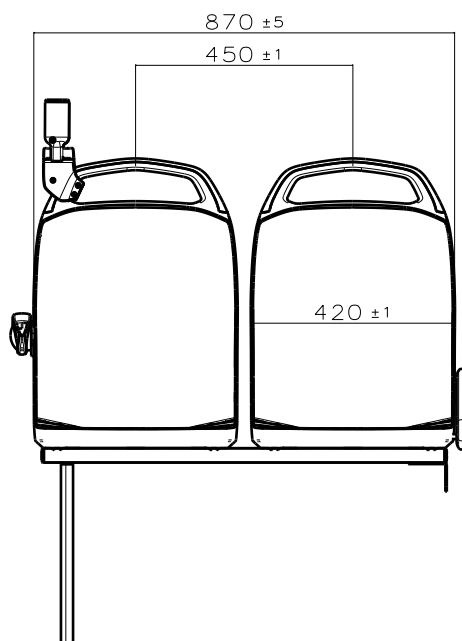


Anthracite Grey
RAL 7016



Traffic Yellow
RAL 1023

DIMENSIONS EXEMPLARY



Worldwide Passenger Comfort

PRODUKTÜBERSICHT

PRODUCT OVERVIEW

SITZMODELLE

SEAT TYPES

Einzelstz	Single seat	■
Doppelsitz	Double seat	■
Klappsitz	Tip-up seat	■
MuKi-sitz	Mother-Child-Seat	■
Doppelgegensitz	Back to back seating	■
Längsback	Longitudinal seat	■

ABMESSUNGEN

DIMENSIONS

Einzelstzbreite	Single seat width	420 and 450mm
Sitzrückenbreite	Back width	420 and 450mm
Sitzkissentiefe	Seat cushion depth	400 and 420mm

SONDERAUSFÜHRUNGEN

SPECIAL VERSIONS

Gepolstert	Full-padded	■
Nicht gepolstert	Non-padded	■

ZUBEHÖR

ACCESSORIES

Abweisbügel	Bow-type handle	<input type="checkbox"/>
Haltegriff	Grap handle	■
Armlehne klappbar	Armrest foldable	<input type="checkbox"/>
Halstangenanschluss	Stanchion fitting	<input type="checkbox"/>
Cantilever-Befestigung	Cantilever fixation	<input type="checkbox"/>
USB Anschluss	USB connection	<input type="checkbox"/>
Sitz Heizung	Seat Heating	<input type="checkbox"/>
2-P Gurtausführung	2-point seatbelt	<input type="checkbox"/>

ANTI-VANDALISMUS

ANTIVANDALISM

Schnittschutzsystem	Cut Protection System	<input type="checkbox"/>
---------------------	-----------------------	--------------------------

GEWICHT

WEIGHT

Doppelsitz (Mit aluminium profil)	Double seat (With aluminium crossbeam)	10,45 kg
-----------------------------------	--	----------

- Standard
- Option

Entspricht den gesetzlichen Normen
Corresponding to the legally standards

ECE R118.04
FMVSS 571.302
ECE R107

Kontakt | contact

VOGELSITZE GmbH
Kleinsteinbacherstr. 44
D-76228 Karlsruhe

Phone: +49 721 4702-0
Fax: +49 721 4702 2500
E-Mail: info@vogelsitze.com
Web: www.vogelsitze.de

Stand: 22.04.2022